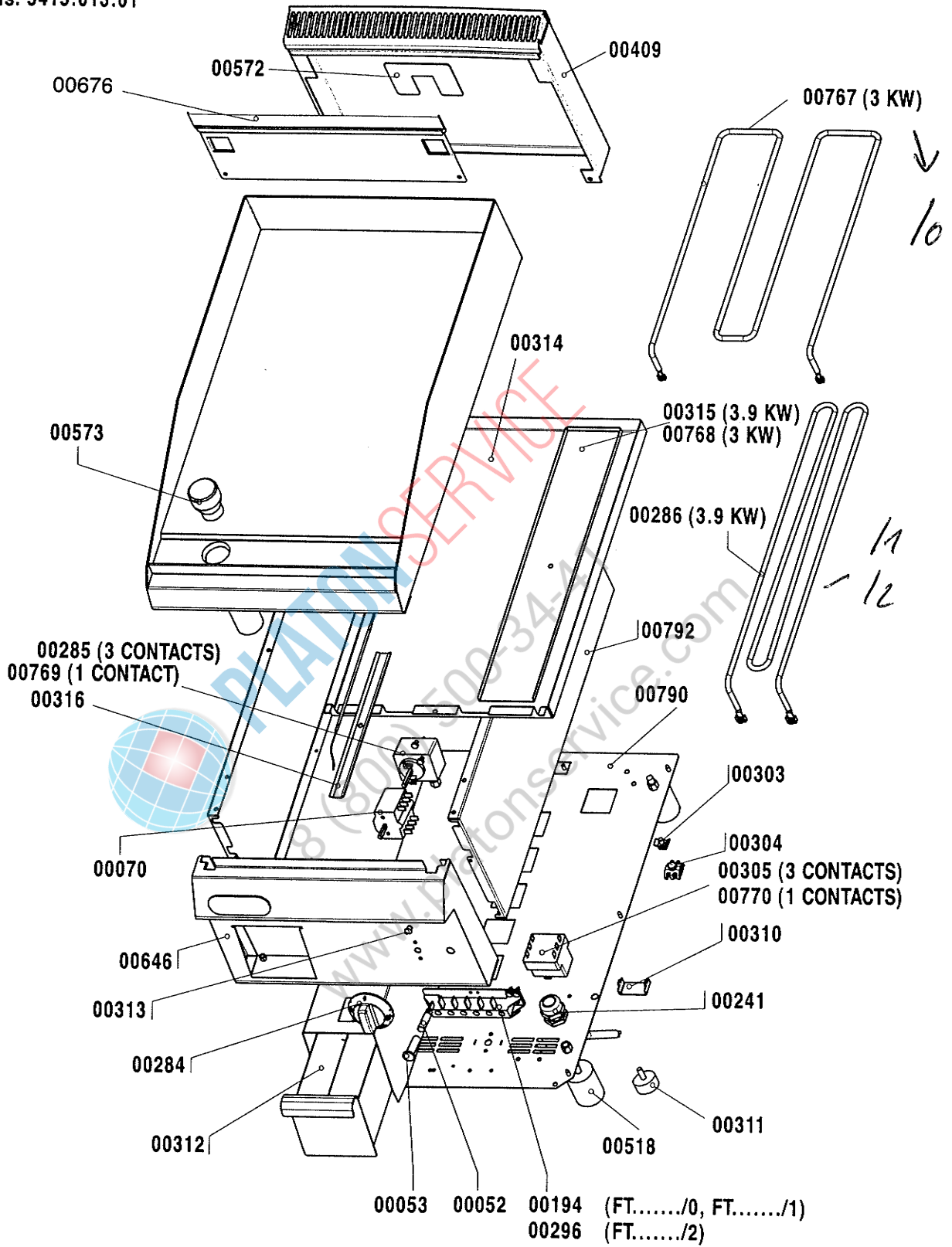


Dis. 5415.013.01



DISEGNI / DIAGRAMS - A

FTL 35E /
FAR 35E /
FIC 35E /

PRICE LIST 2304

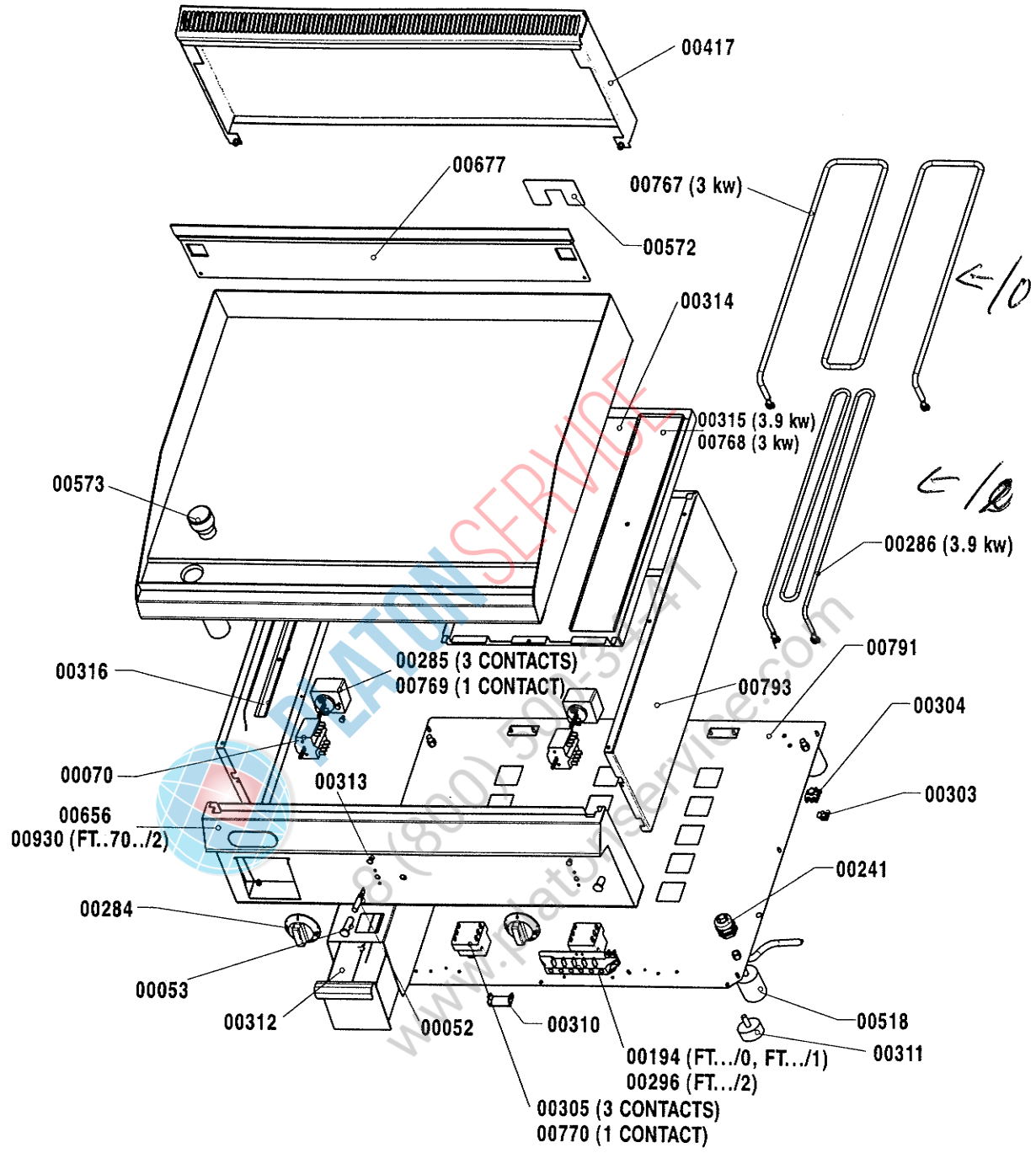
Spare parts for Electric Fry Tops mod. FT..E

CODE	DESCRIPTION	PRICE €
00052	* LAMP	3,29
00053	GREEN LAMP HOLDER	0,82
00070	SWITCH	11,78
00284	* KNOB	4,93
00285	* 3-PHASE THERMOSTAT	52,87
00286	* HEATING ELEMENT 230 V. 1,3 Kw	28,22
00305	* 3-PHASE SAFETY THERMOSTAT	73,42
00311	FEET h= 25 mm	1,09
00518	FEET H=50 mm	3,29
00573	OIL PLUG	11,24
00767	HEATING ELEMENT 230 V. 3 Kw	36,16
00769	1-PHASE THERMOSTAT	22,46
00770	1-PHASE SAFETY THERMOSTAT	33,97
	* Suggested spare parts	



PLATON SERVICE
8 (800) 500-34-41
www.platonservice.com

Dis. 5415.016.01



DISEGNI / DIAGRAMS - B

FTL 70E /
FTR " /
TFC " /